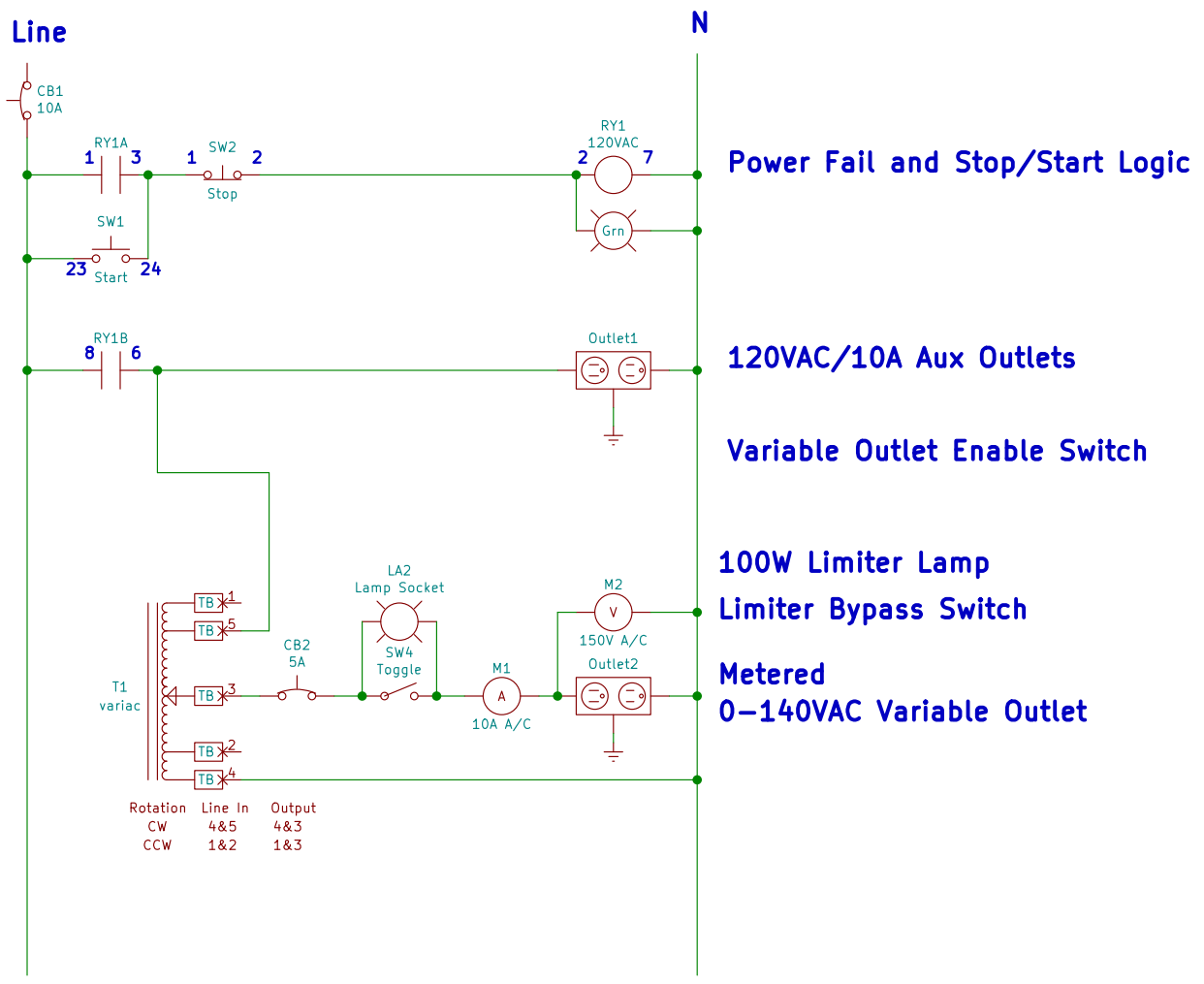


## Several Options for IEC input connectors and Line filters.



Power Fail and Stop/Start Logic

120VAC/10A Aux Outlets

Variable Outlet Enable Switch

100W Limiter Lamp  
Limiter Bypass Switch

Metered  
0-140VAC Variable Outlet

### Benchtop Variable A/C Distribution Panel

Sheet: /  
File: ac\_panel.sch

**Title:**

Size: USLetter      Date: **5 March 2019**  
KiCad E.D.A.    eeschema 5.1.2

**Rev:**  
Id: 1/1