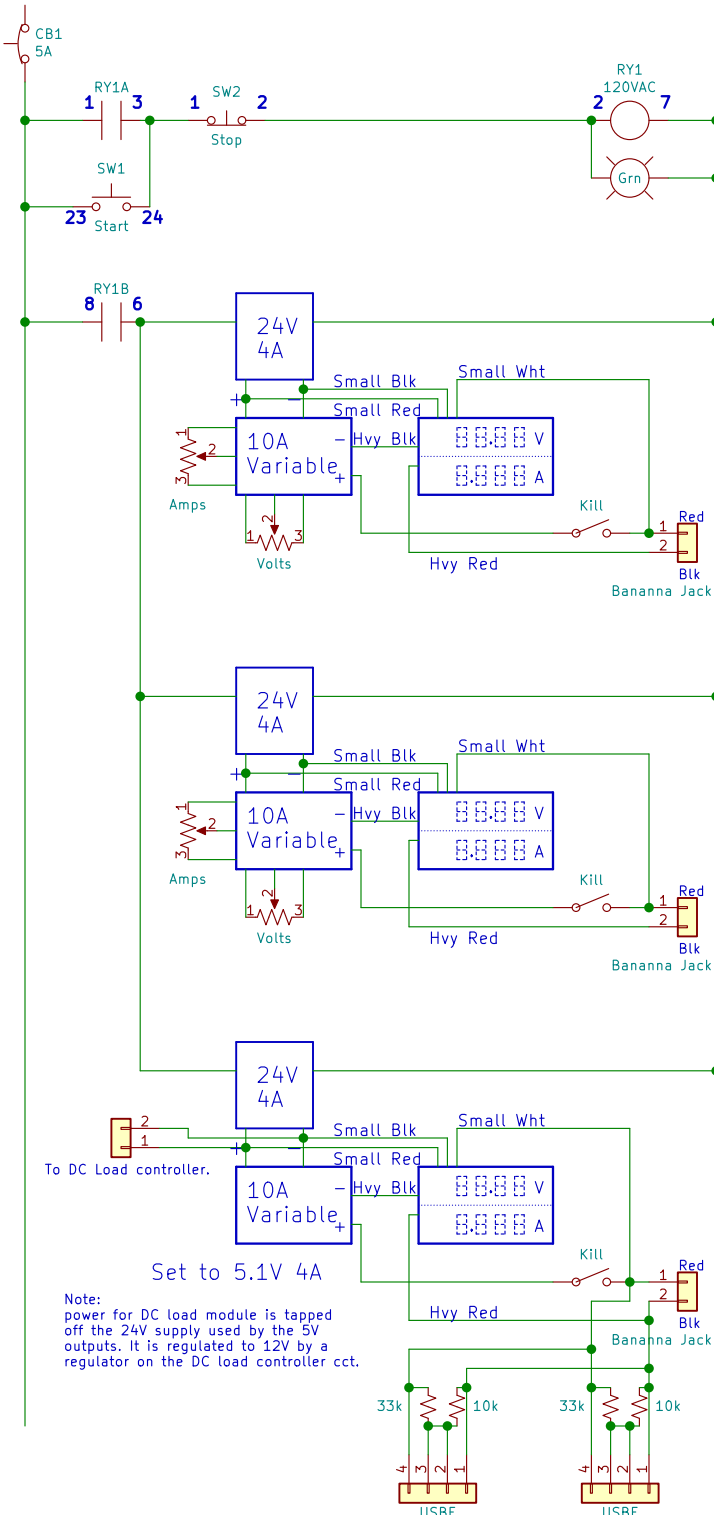


Several Options for IEC input connectors and Line filters.

Line

N



Power Fail and Stop/Start Logic

Variable Supply #1 0-24V (96W)

Variable Supply #2 0-24V (96W)

5V Supply and USB Charging

To DC Load controller.

Set to 5.1V 4A

Note:
power for DC load module is tapped off the 24V supply used by the 5V outputs. It is regulated to 12V by a regulator on the DC load controller cct.

Samsung hi current charge configuration (1.5A)

Sheet: /
File: dc_panel.sch

Title: Benchtop Variable DC Supply and Load Panel

Size: USLetter Date: 27Aug2019

KiCad E.D.A. eeschema 5.1.4

Rev:

Id: 1/1