

Serial Header on FPGA\_Z80  
Make plug using perf board and pin headers

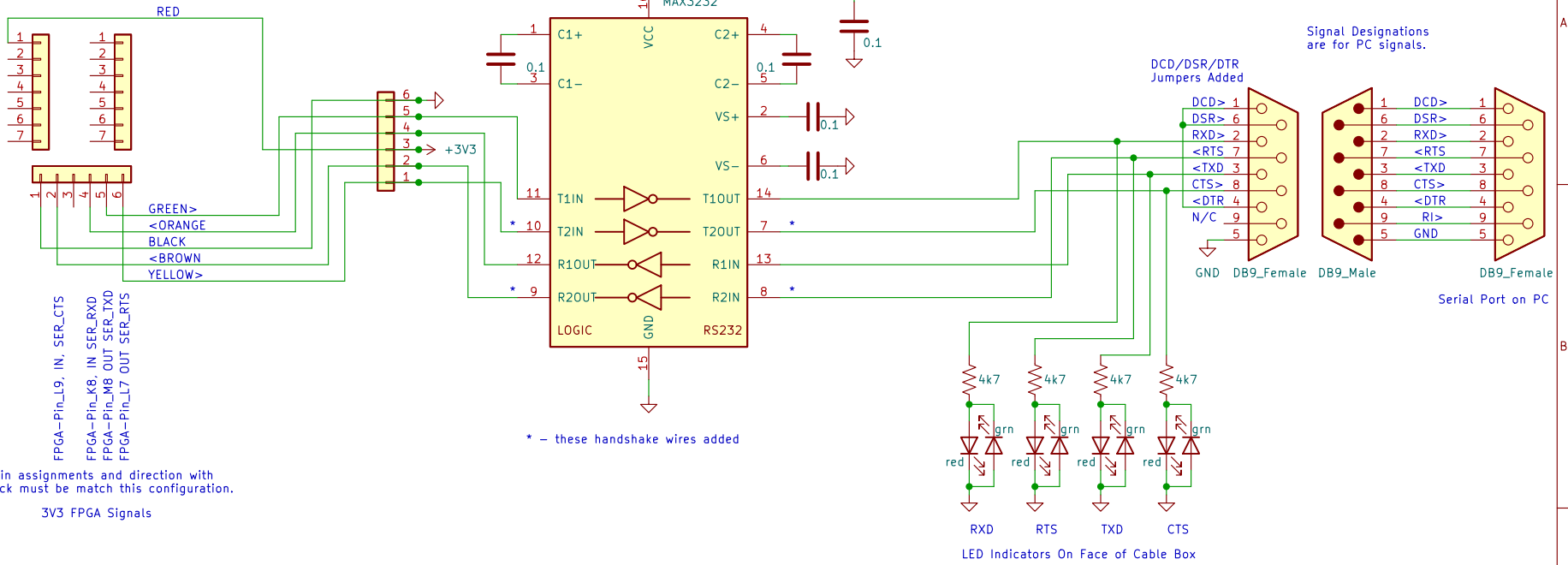
SHORT 15" CABLE FROM  
PLUG BOARD TO BREAKOUT BOX

MAX3232 on Converter Board

DE9 Female on Converter Brd

Straight Thru Serial Cable

Note: FPGA\_Z80 modified to supply 3v3 to pin 1



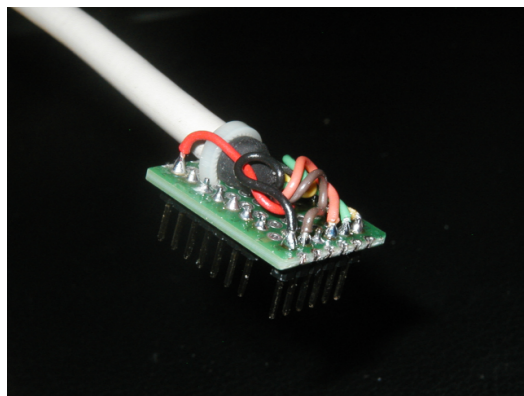
RED

GREEN>  
<ORANGE  
BLACK  
<BROWN  
YELLOW>

FPGA-Pin\_L9, IN, SER\_CTS  
FPGA-Pin\_K8, IN, SER\_RXD  
FPGA-Pin\_M8, OUT, SER\_TXD  
FPGA-Pin\_L7, OUT, SER\_RTS

Note: FPGA pin assignments and direction with the UART block must be match this configuration.

3V3 FPGA Signals



This documents the signal paths for hardware handshake serial I/O on the FPGA\_Z80  
**Glaister Consulting**

Sheet: /  
File: rs232-hwbs.kicad\_sch

**Title: FPGA to RS232 with Hardware Handshake**

Size: A Date: 2022-02-12  
KiCad E.D.A. kicad (6.0.2)

Rev: 1.0  
Id: 1/1